

ICONS



Indicates Manual Mode



Indicates Automatic Mode



Indicates System is Activated



Represents Economy Setpoint is Running



Represents Comfort Setpoint is Running



Represents Vacation Setpoint is Running



Test Tests the Ground Fault Function During Activation



Pgm Press to Enter Programming Mode



Stand By Deactivates T-Stat and Resets Ground Fault Trip



Clear Clears Current Program



Mode/Ret Switch from Manual Mode to Automatic Mode



First Program Mode of Sequence



Second Program Mode of Sequence

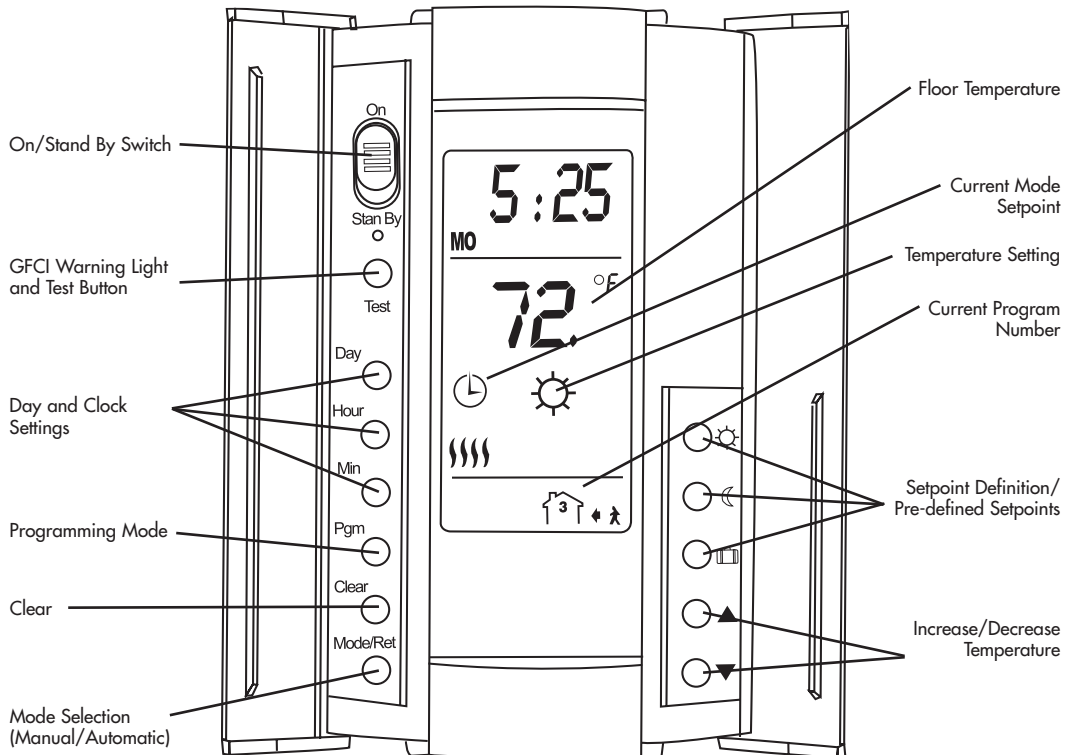


Third Program Mode of Sequence



Fourth Program Mode of Sequence

THERMOSTAT LAYOUT



Programming Instructions

12P & 24P ELECTRIC FLOOR WARMING THERMOSTAT 120 & 240 VAC

For technical support contact:

Infloor® Heating Systems
P.O. Box 253
900 Hamel Road
Hamel, MN 55340
800-588-4470
Fax: 763-478-9669

www.infloor.com

Infloor is a registered trademark of Infloor Radiant Heating, Inc.,
Hamel, MN ©2004 All Rights Reserved

Programming Instructions

General

Thermostat models 12P and 24P are designed to control electric floor heating systems. The thermostat sensor controls the floor temperature only. Each thermostat allows up to four different set-points per day. This programmable thermostat provides both energy savings and comfort.

Switch Selection

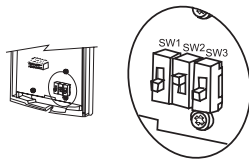
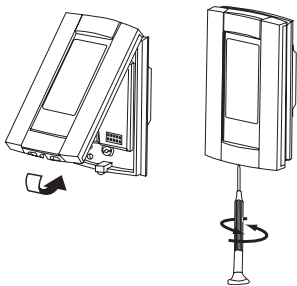
The thermostat is factory-set to the following values:

#	Function	UP	DOWN
SW1	Temperature Format	°F	°C
SW2	Early Start	Disable	Enable
SW3	Time Format	12-hour	24-hour

Adjusting Thermostat Settings

Note: You must shut off power to thermostat and discharge static from yourself before removing the control module.

Remove control module with flat-head screwdriver.



Switches are located on the rear of the control module. To modify any settings, switch up or down.

Early Start Function

The thermostat has a built-in function to calculate the optimum time to start the heating system to achieve the desired temperature at the programmed time. This function can start the heating system as early as six hours prior to the programmed time. To enable this function, set the E. S. (Early Start) switch on the back.

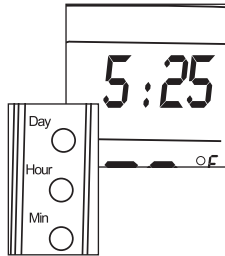
Setting The Initial Preferences

The thermostat displays the day of the week and the time.

To set the Day: Press the Day button until the current day of the week appears under the time reading on the display.

To set the Hour: Press the Hour button to adjust the time in one hour increments.

To set the Minutes: Press the Min button to adjust the time in one minute intervals.



The Comfort (☀), Economy (☾) and Vacation (🏠) settings represent the temperatures that you wish to have during the day (☀), at night (☾) or while you are away for an extended period (🏠). These settings are reflected in Automatic mode only.

The following temperature set-points are pre-programmed:

Symbol	Description	Default
☀	Comfort	82 °F
☾	Economy	68 °F
🏠	Vacation	50 °F

To modify a set-point:

- Set the desired temperature using the ▼ and ▲ buttons.
- Press and hold the ☀, ☾, or 🏠 buttons until the symbol is displayed.
- Press the Mode/Ret to exit.

Operating Modes

This programmable thermostat offers three modes of operation: Manual (🔧), Automatic (🕒), and Vacation (🏠). Manual mode maintains a constant temperature while automatic mode will perform in response to the programmed schedule. Vacation mode maintains the programmed set-point during a prolonged absence.

Manual

- Press the Mode button until (🔧) is displayed.
- Set the temperature using the ▼ and ▲ buttons or press the ☀ and ☾ button to use the predefined setpoints, refer to section "Setting the Initial Preferences."

Automatic

You can program up to four different programs per day. Each day can have different programs. The current program number is displayed at the bottom of the display.

To modify program settings:

- Press the Mode button until 🕒 is displayed.
- Press the Day button to select the day to be programmed (hold for 3 seconds to select all days of the week)

Note: It is sometimes faster to program the same schedule for the entire week and then modify the exception days (i.e. Saturday and Sunday).



- Press the (Pgm) button to access the desired program number.
- Press the (Hour) and (Min) to set the time or press Clear to clear the time (--- is disregarded).
- Repeat steps 2 through 4 for remaining programs.
- When completed, press the (Mod/Ret) button to exit.

Note: You can temporarily modify the floor temperature while you are in Automatic mode. Simply press the ▼ and ▲ buttons to select the desired temperature, or the Comfort ☀ /Economy ☾ predefined settings. This temperature will be maintained until the next programmed schedule begins.

After 60 seconds of inactivity, the thermostat will exit programming mode.

To erase a program:

- Select the program using Pgm and Day buttons, and press the Clear button. The time field displays --- when the program is inactive.

Vacation

To enter vacation mode, simply press the 🏠 button. This will maintain the pre-defined setpoint. The factory setpoint is 50 degrees F. To modify the factory given set-point, refer to section "Setting Initial Preferences."